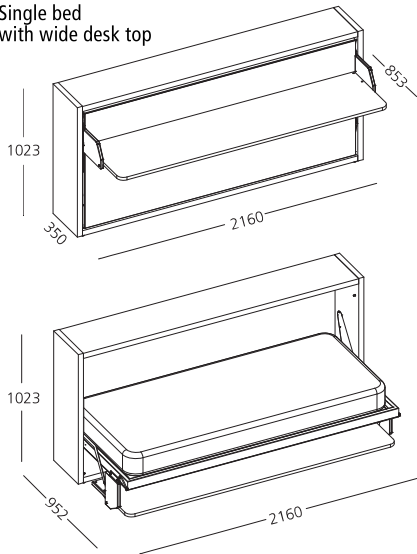
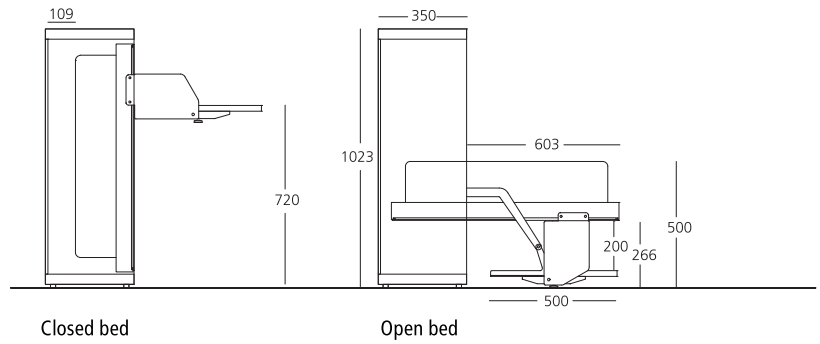


## KALI BOARD 90

Single bed  
with wide desk top

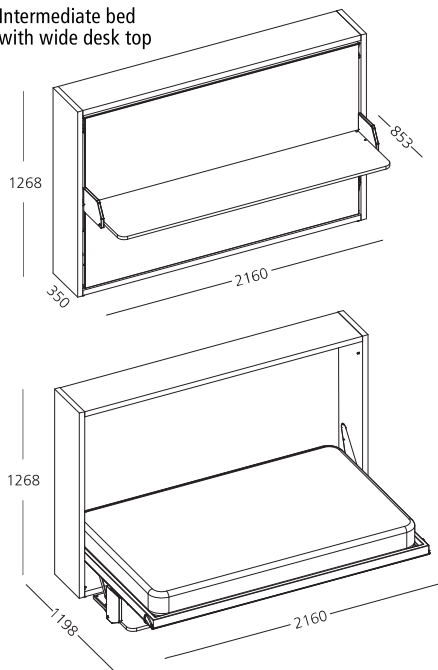


### Section

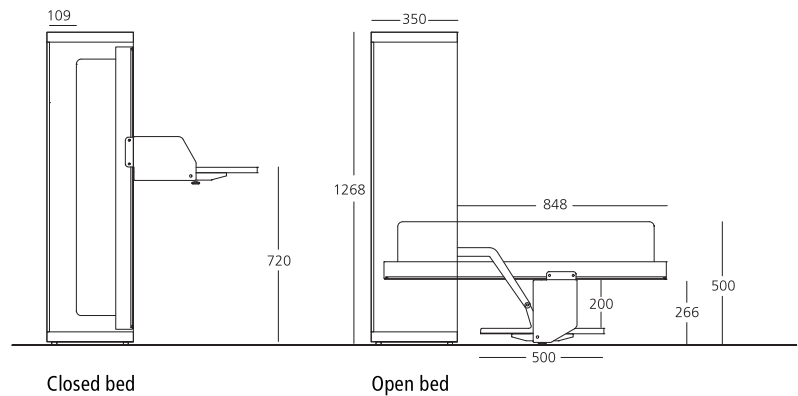


## KALI BOARD 120

Intermediate bed  
with wide desk top

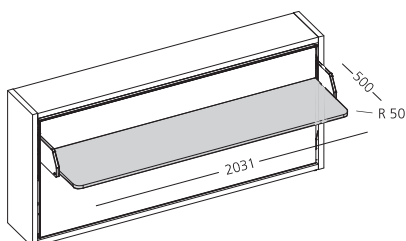


### Section



## DESK TOP TECHNICAL FEATURES

Tilting desk top with lateral plates in painted iron and frame-supporting bar in painted ribbed sheet, both in colour matching with the bed base.  
Maximum weight supported by the desk top Kg. 200



# Transformable system KALI BOARD

## KALI BOARD 90

Single wallbed with tilting opening system and wide desk top.

**Dimensions:**

- Closed mm. 1023 x 2160 x 350/853
- Open mm. 1023 x 2160 x 952
- Mattress mm. 1970 x 800 x 180 - Weight kg. 14 - 16

**N.B.:** Bed back panel available in white melamine and lacquered finish

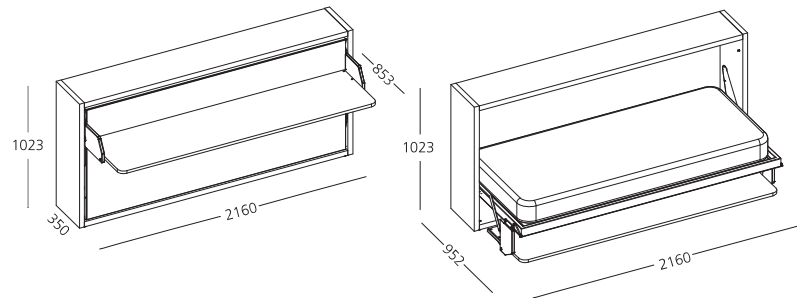
**Options :**

- Reclining headboard, specify if on right or left side
- LED, specify if on right or left side

**Prints:**

Combinations and decorations of prints applicable to the front panel can be found on the related page.

**FIXING TO THE WALL IS COMPULSORY**



KALI BOARD 90	Code	Melamine white	M.Oak Sabbia - Oak Moro-Perla-Tortora	Lacquered	Dialux White	Lacquered with print	Lacquered multicolour 3	Lacquered multicolour 4
Structure	<b>KAB090ST</b>							
Back panel	<b>KA090SC</b>		mel. white					
Front panel with bed base	<b>KAB090FA</b>							
Desk top	<b>KAKDBOARD</b>							
TOTAL								

## KALI BOARD 120

Intermediate wallbed with tilting opening system and wide desk top.

**Dimensions:**

- Closed mm. 1268 x 2160 x 350/853
- Open mm. 1268 x 2160 x 1198
- Intermediate mm. 1970 x 1040 x 180 - Weight kg. 21 - 23

**N.B.:** Bed back panel available in white melamine and lacquered finish

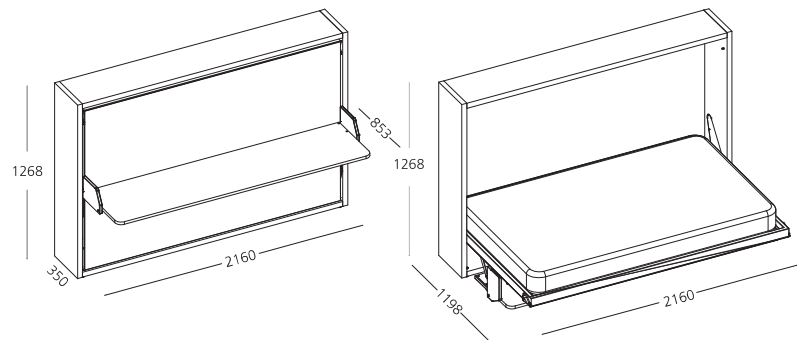
**Options :**

- Reclining headboard, specify if on right or left side
- LED, specify if on right or left side

**Prints:**

Combinations and decorations of prints applicable to the front panel can be found on the related page.

**FIXING TO THE WALL IS COMPULSORY**



KALI BOARD 120	Code	Melamine white	M.Oak Sabbia - Oak Moro-Perla-Tortora	Lacquered	Dialux White	Lacquered with print
Structure	<b>KAB120ST</b>					
Back panel	<b>KA120SC</b>		mel. white			
Front panel with bed base	<b>KAB120FA</b>					
Desk top	<b>KAKDBOARD</b>					
TOTAL						