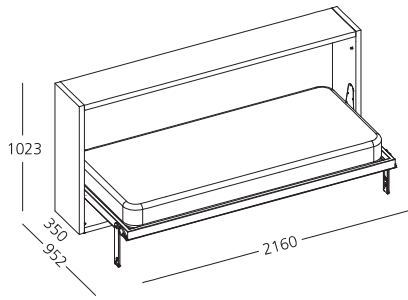


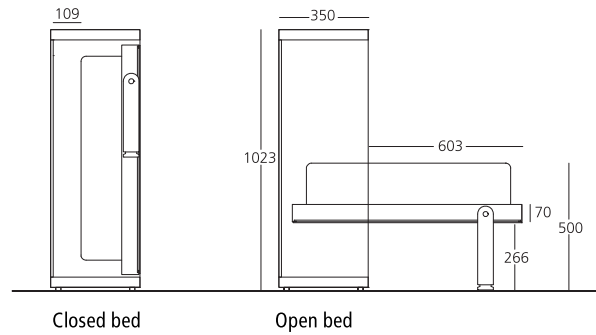
Transformable system KALI

KALI 90

Single bed

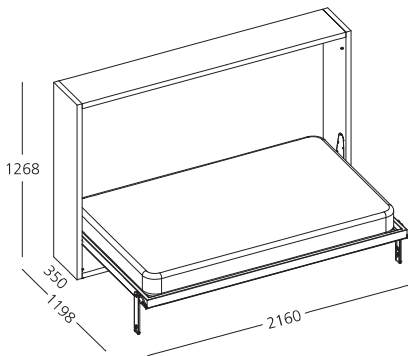


Section

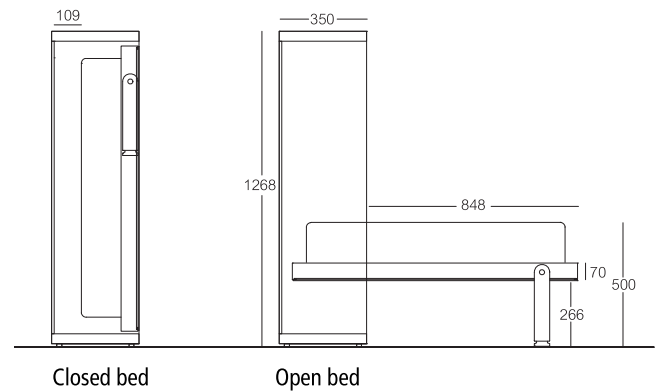


KALI 120

Intermediate bed



Section



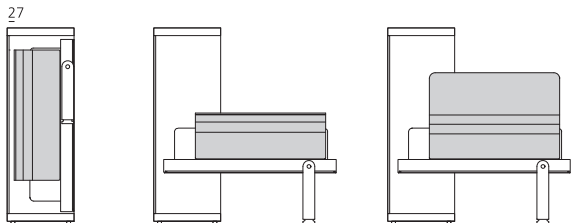
Options :

Stuffed reclining headboard

Iron core mechanism, padding made of cold-foamed polyurethane, removable cover.

Dimensions of open headboard: W.680/950 x H. 460 x Th. 40

Bed section with reclining upholstered headboard

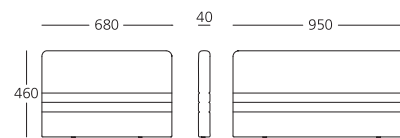


Closed bed

Open bed with closed headboard

Open bed and headboard

Dimensions reclining headboard



KALI 90

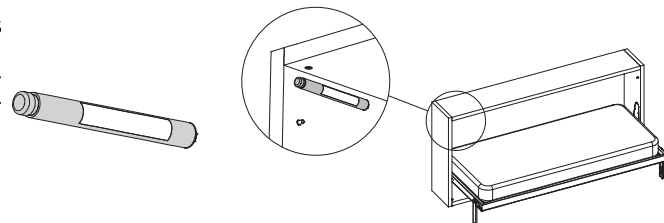
KALI 120

LED

The LED system is a tubular aluminium lighting system provided with a small Plexiglas that serves as a lamp.

On/off switches on the backside and front rubber cap as buffer to soften the closing of the bed base.

The LED used is certified in compliance with EN62471 regulation as part of the "risk-free" category that assures its unlimited maximum safety.



Transformable system KALI

KALI 90

Element with single wallbed, horizontal tilting opening

Dimensions:

- Closed mm. 1023 x 2160 x 350
- Open mm. 1023 x 2160 x 952
- Mattress mm. 1970 x 800 x 180 - Weight kg. 14 - 16

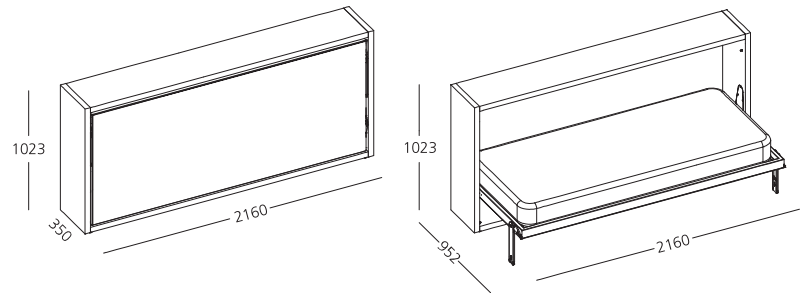
N.B.: Bed back panel available in white melamine and lacquered finish

Options :

- Reclining headboard, specify if on right or left side
- LED, specify if on right or left side

Prints:

Combinations and decorations of prints applicable to the front panel can be found on the related page.



KALI 90	Code	Melamine white	M.Oak Sabbia - Oak Moro-Perla-Tortora	Lacquered	Dialux White	Lacquered with print	Lacquered multicolour 3	Lacquered multicolour 4
Structure	KAL90ST							
Back panel	KA090SC		mel. white					
Front panel with bed base	KAL90FA							
TOTAL								

REMARKS: these prices do not include mattress nor padded parts, unless differently written

KALI 120

Element with intermediate wallbed, horizontal tilting opening

Dimensions:

- Closed mm. 1268 x 2160 x 350
- Open mm. 1268 x 2160 x 1198
- Mattress mm. 1970 x 1040 x 180 - Weight kg. 21 - 23

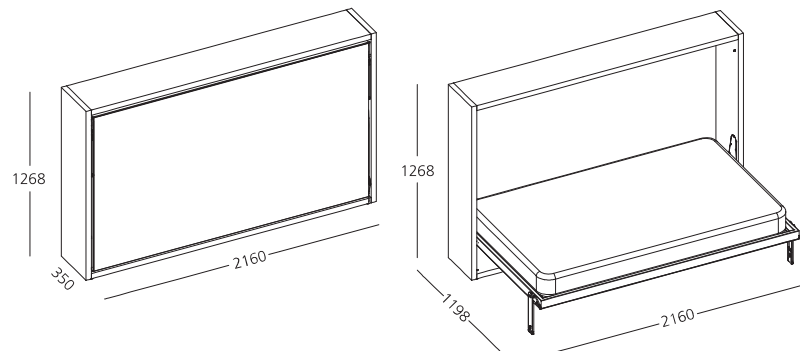
N.B.: Bed back panel available in white melamine and lacquered finish

Options :

- Reclining headboard, specify if on right or left side
- LED, specify if on right or left side

Prints:

Combinations and decorations of prints applicable to the front panel can be found on the related page.



KALI 120	Code	Melamine white	M.Oak Sabbia - Oak Moro-Perla-Tortora	Lacquered	Dialux White	Lacquered with print
Structure	KAL120ST					
Back panel	KAL120SC		mel. white			
Front panel with bed base	KAL120FA					
TOTAL						

REMARKS

FIXING TO THE WALL IS COMPULSORY

FIXING TO THE WALL IS COMPULSORY